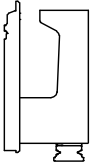

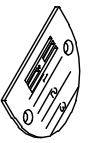
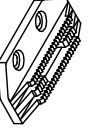
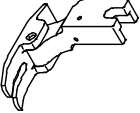






L819規格件表 CONVERSION CHART

								
MODEL	SUB-CLASS	NEEDLE PLATE	FEED DOG	PRESSER FOOT	HOOK ASM	BOBBIN CASE ASM	BOBBIN	NEEDLE
機 型	規 格	針 板	送 具	押 具	梭 頭	梭 殼	梭 子	針 號
L819-X1	厚布料 至	E702	D702	P711/P712	G112	G201	G301	DBX1#21
L819-X2	特厚布料	E702	D702	P711/P712	G131	G204	G304	DBX1#21

SIRUBA
MODEL COMPARE LIST

Series

L819/L819U

Remark

-X1/-X2












Page

1/2

Date

2012/1/01

L819/L819U 型別件表

										
MODEL	SUB-CLASS	BAD	THREAD TAKE UP LEVER COVER	THREAD PLATE	THREAD PLATE	THREAD PLATE	THREAD PLATE	MOVABLE KINFE BRACKET	FIXED KINFE	FIXED KINFE
機 型	規 格	機體下座	天柙蓋	導線片	導線片	導線片	導線片	活動刀轉座	固定刀	固定刀
L819 /X1		LA101	LA11F	LA34	—	LA125	—	—	—	—
L819 /X2	厚布料	LA501	LA511	—	YA24	—	YA25			
L819-TRIMMER /X1		LA101P	LA11F	LA34	—	LA125	—	LU100D	LU711	—
L819-TRIMMER /X2		LA501P	LA511	—	YA24	—	YA25	LU500	—	LU503

SIRUBA
MODEL COMPARE LIST

Series

L819/L819U

Remark

-X1/-X2

Page

2/2

Date

2012/1/01

L819/L819U 型別件表

MODEL	SUB-CLASS	FIXED KNIFE FIXED BRACKET	FIXED KNIFE FIXED BRACKET	THREAD TAKE UP LEVER	NEEDLE PLATE	BELT PLATE SPRING	MOVABLE KNIFE	
機 型 L819 /X1	規 格	固定刀固定座	固定刀固定座	天秤	針線導片	板狀彈簧	活動刀	
								厚布料
L819 /X2	L819-TRIMMER /X1	—	—	LG513	—	LM26	—	
								LU118D
L819-TRIMMER /X2	—	—	A LU118 B SK718 C LU119	LG513	LU502	—	LU500	
								LU1100D

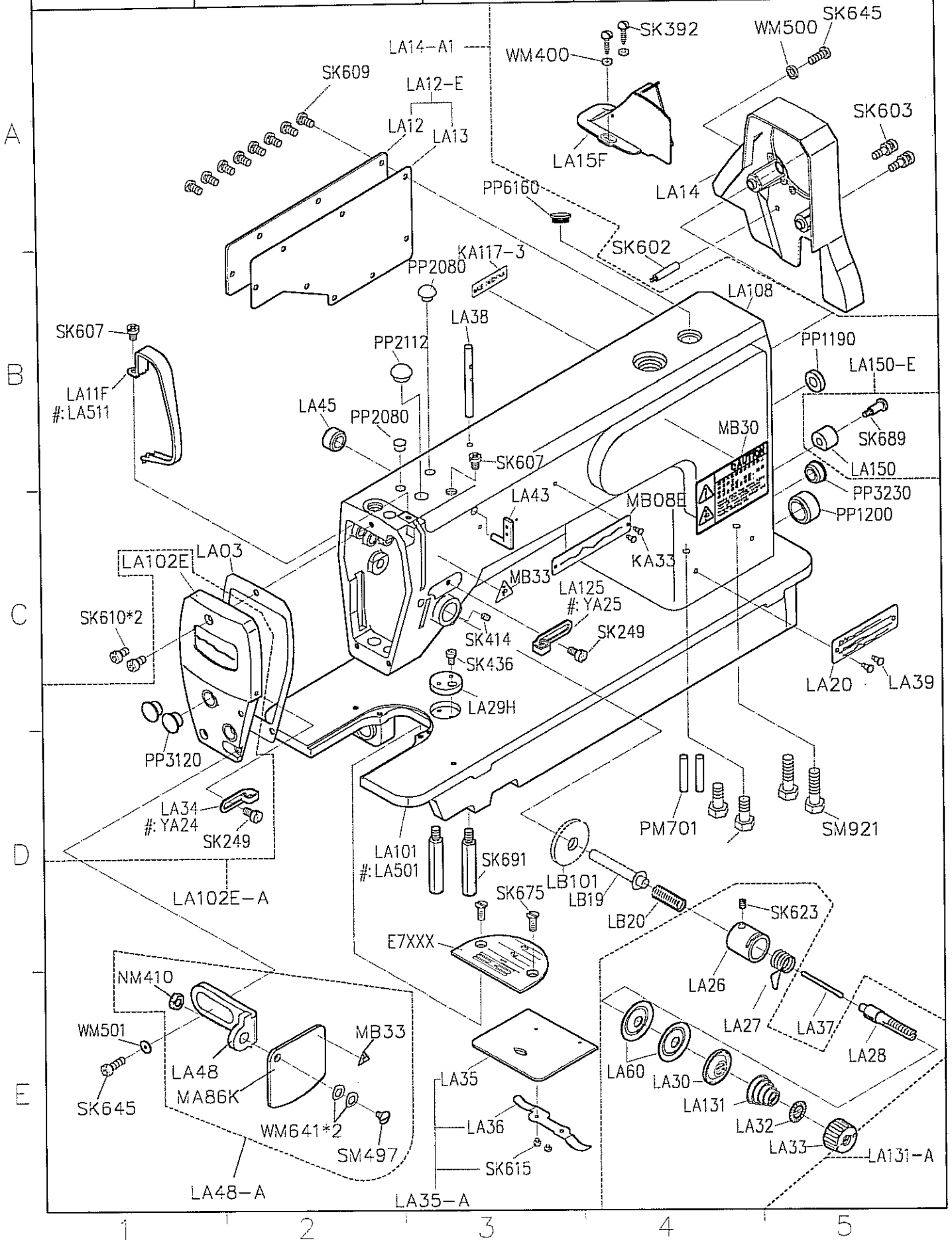
SIRUBA
PARTS LIST

Series
L819-X1/X2

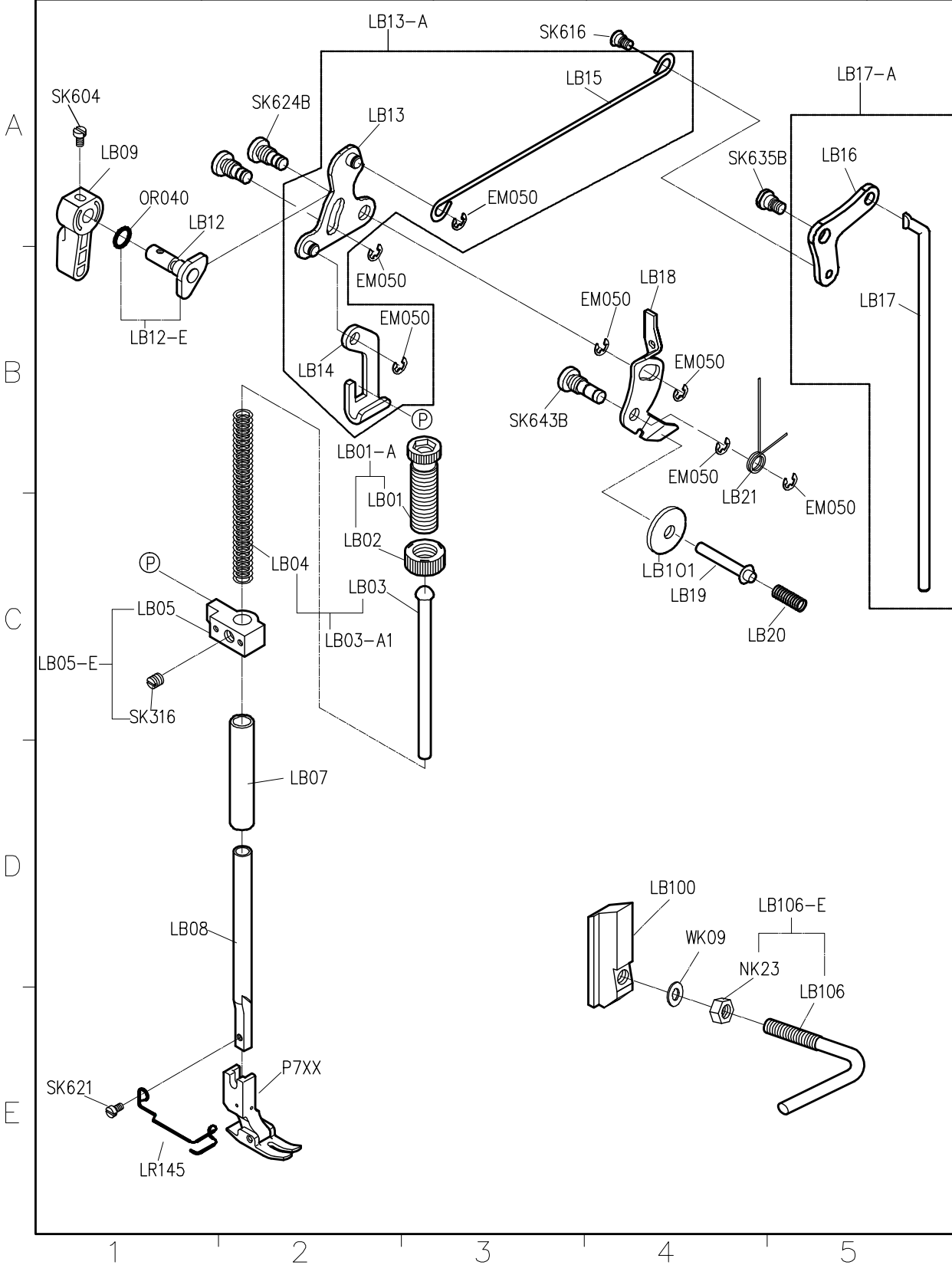
Parts Group
LA

Subclass / Remark
#:Use for X2

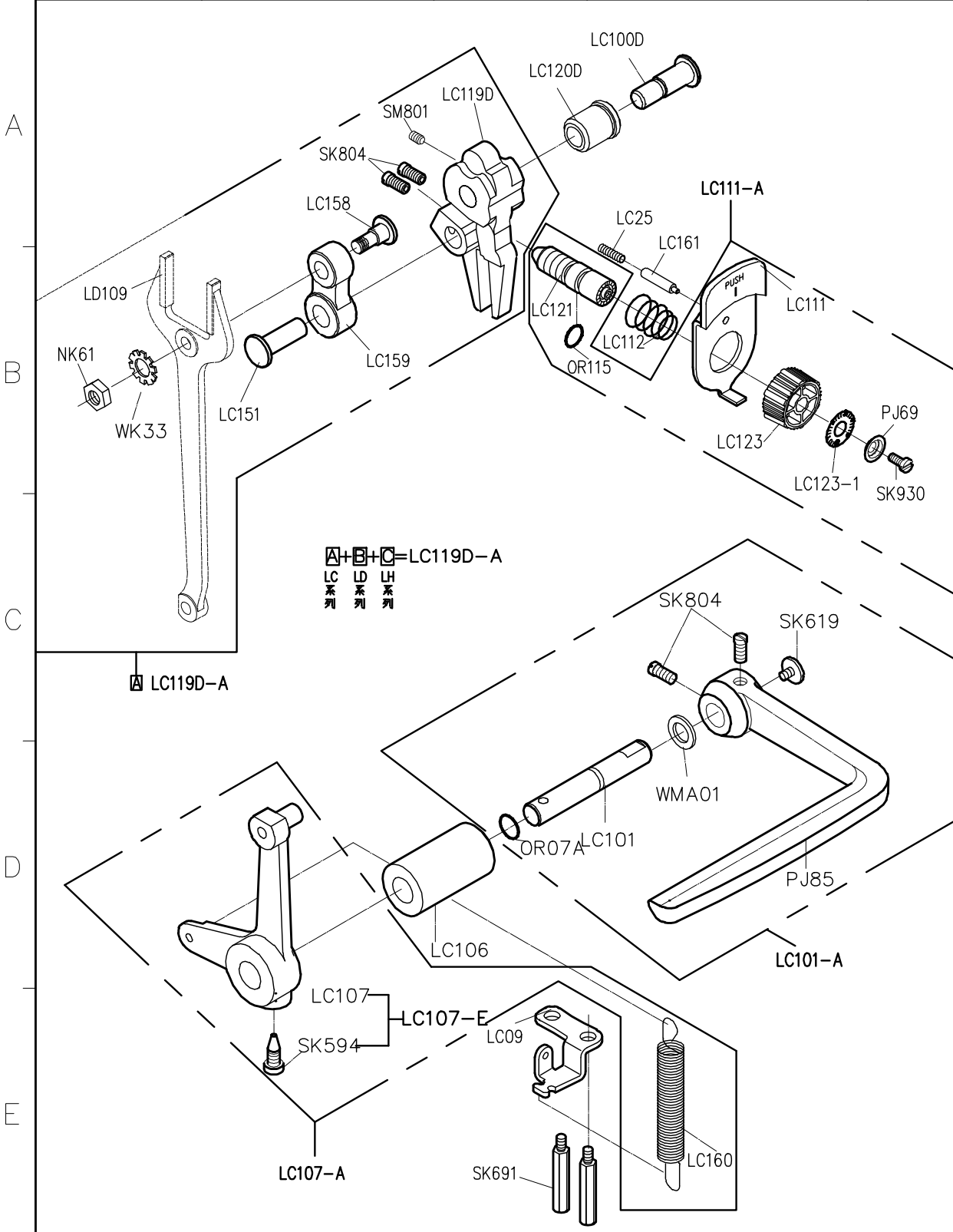
Page
1/1
Date
2013/07/27



SIRUBA PARTS LIST	Series	Parts Group	Subclass / Remark	Page
	L819-X1/X2	LB		1/1
				Date
				2012/11/01

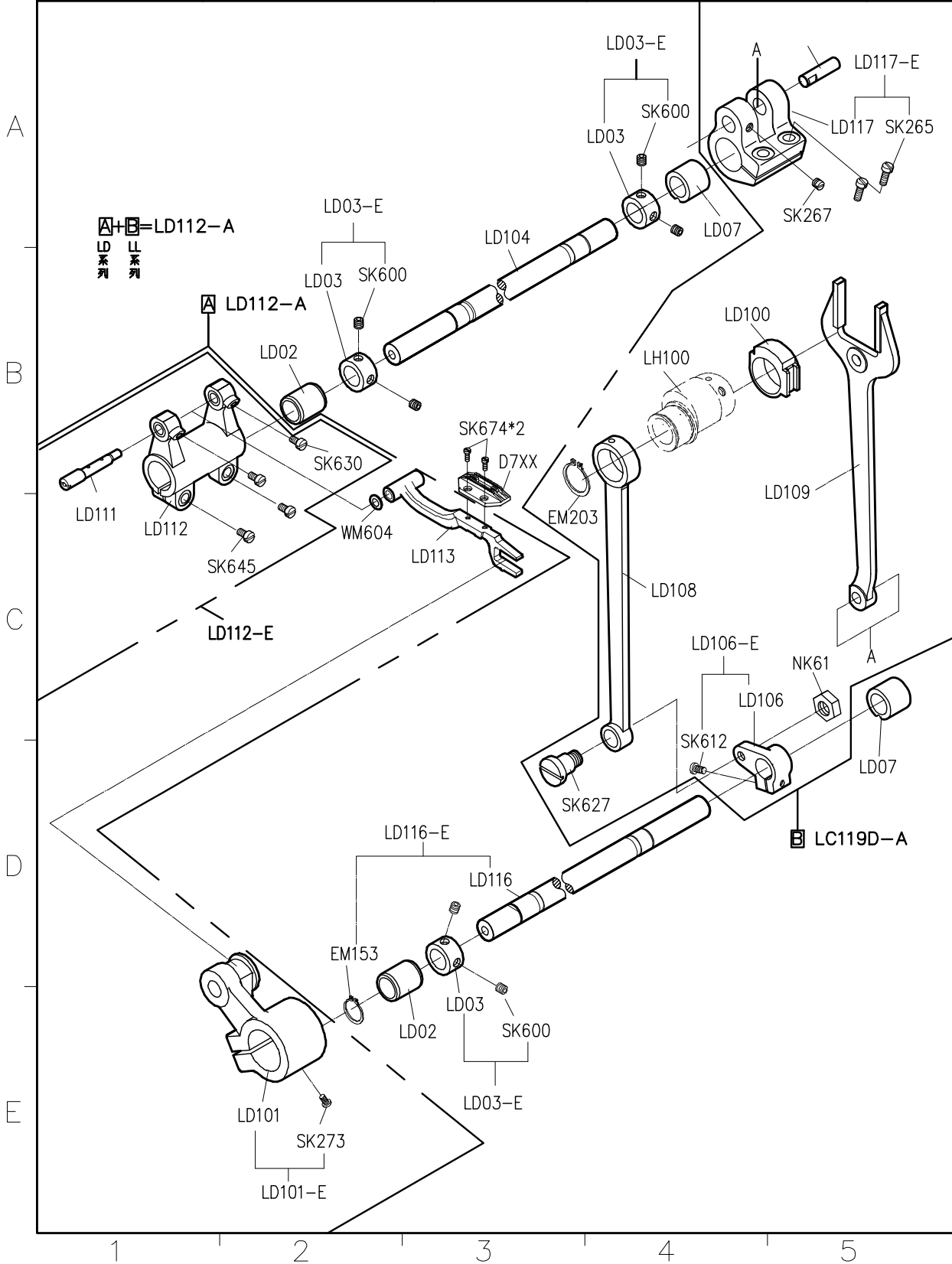


SIRUBA PARTS LIST	Series	Parts Group	Subclass / Remark	Page
	L819-X1/X2	LC		1/1
				Date
				2012/11/01

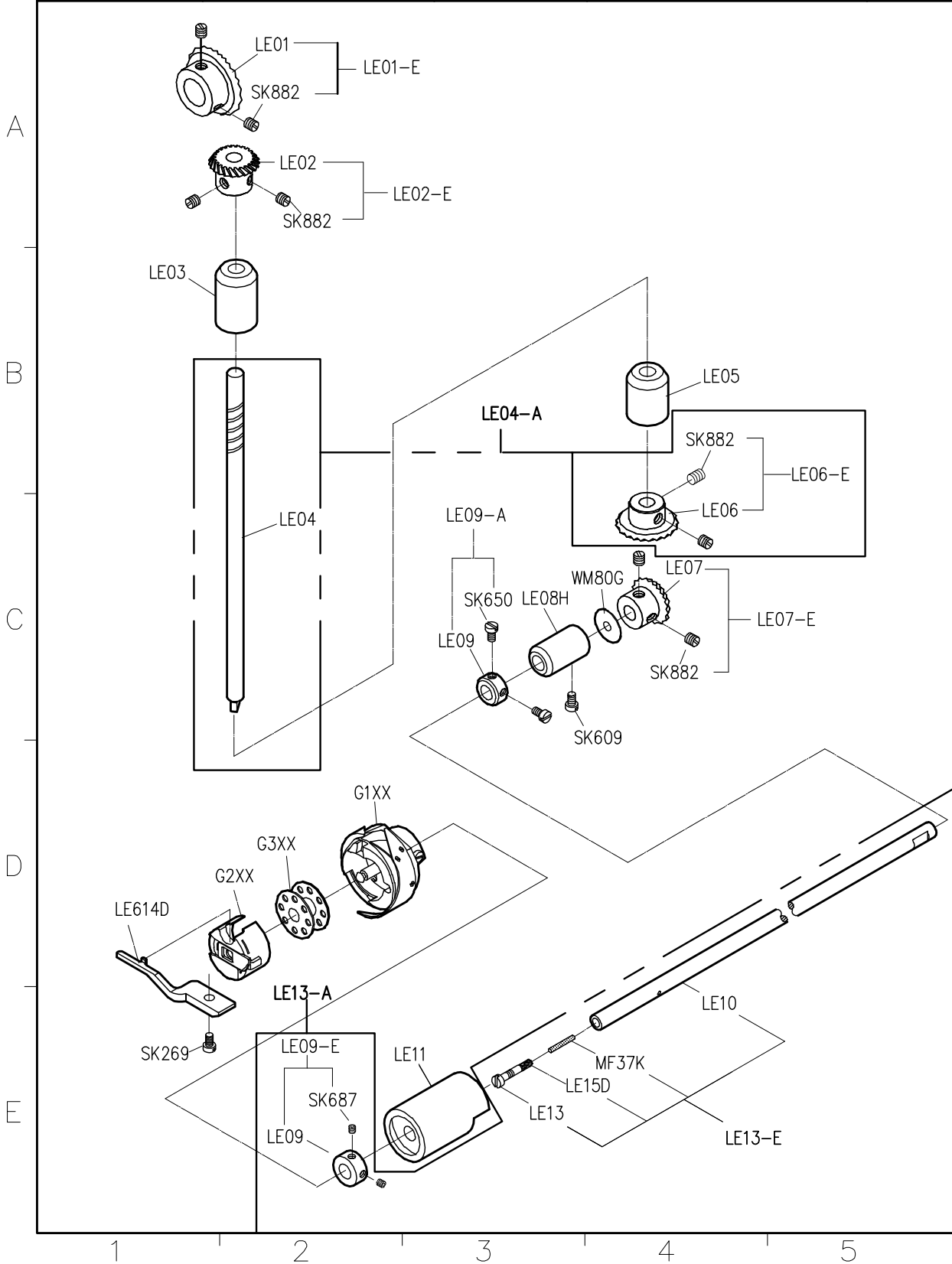


1 2 3 4 5

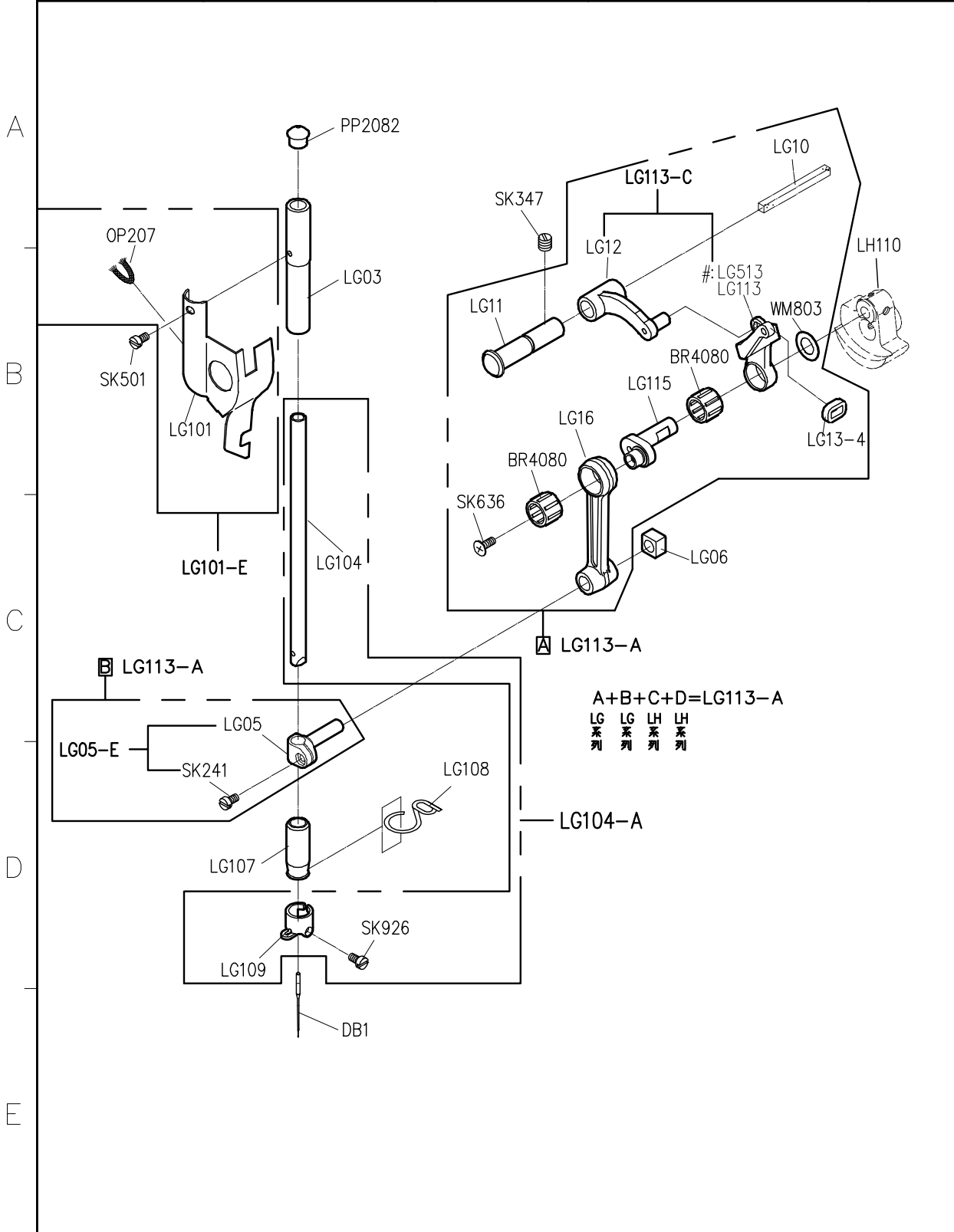
SIRUBA PARTS LIST	Series	Parts Group	Subclass / Remark	Page
	L819-X1/X2	LD		1/1
				Date
				2012/11/01



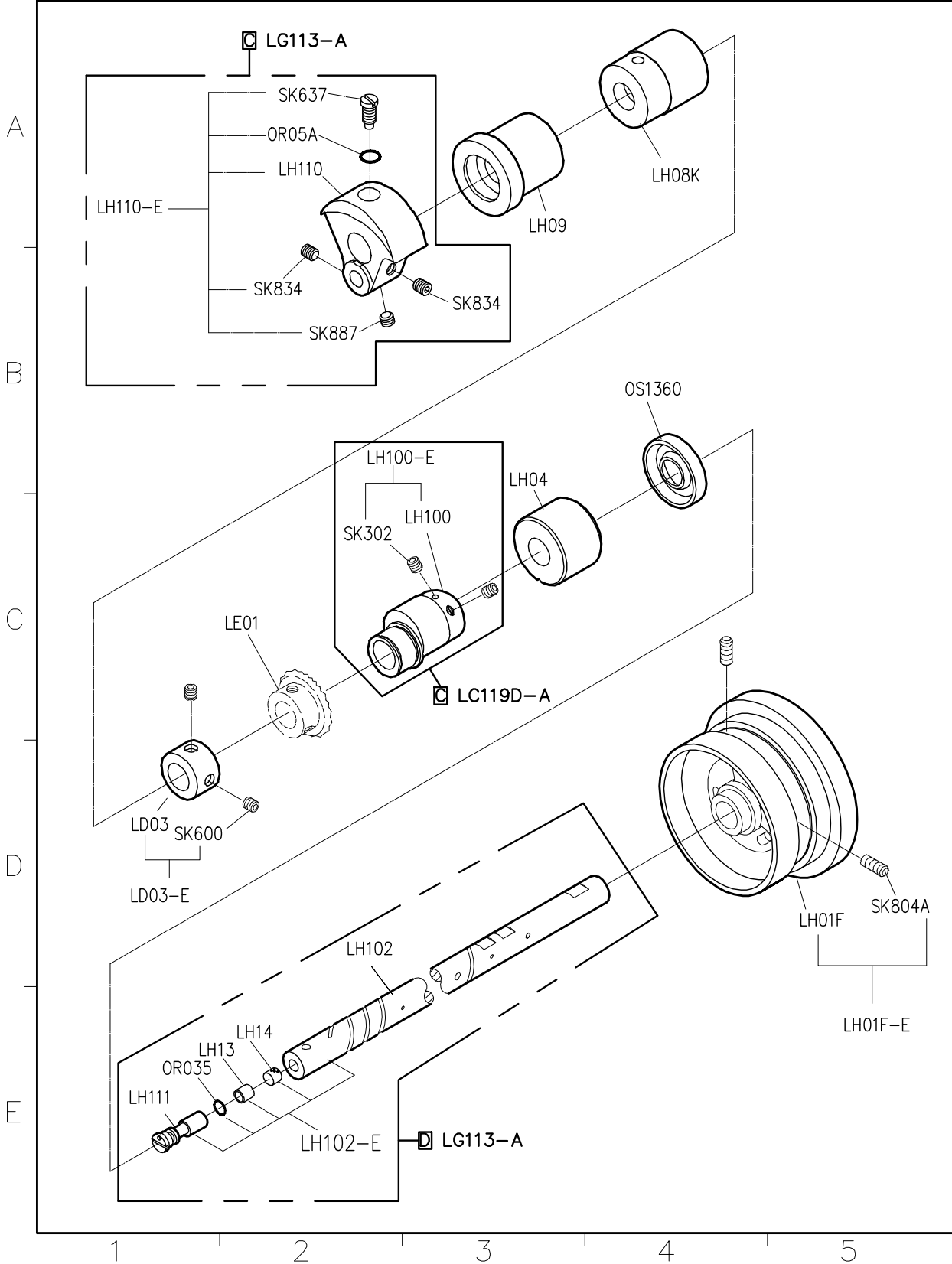
SIRUBA PARTS LIST	Series	Parts Group	Subclass / Remark	Page
	L819-X1/X2	LE		1/1
				Date
				2012/11/01



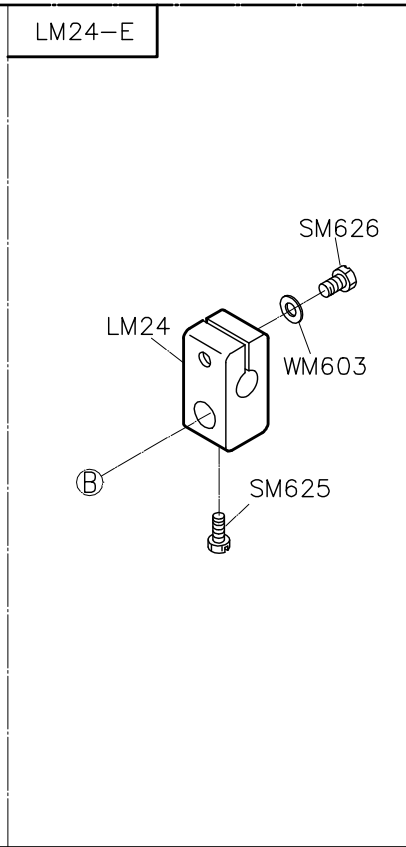
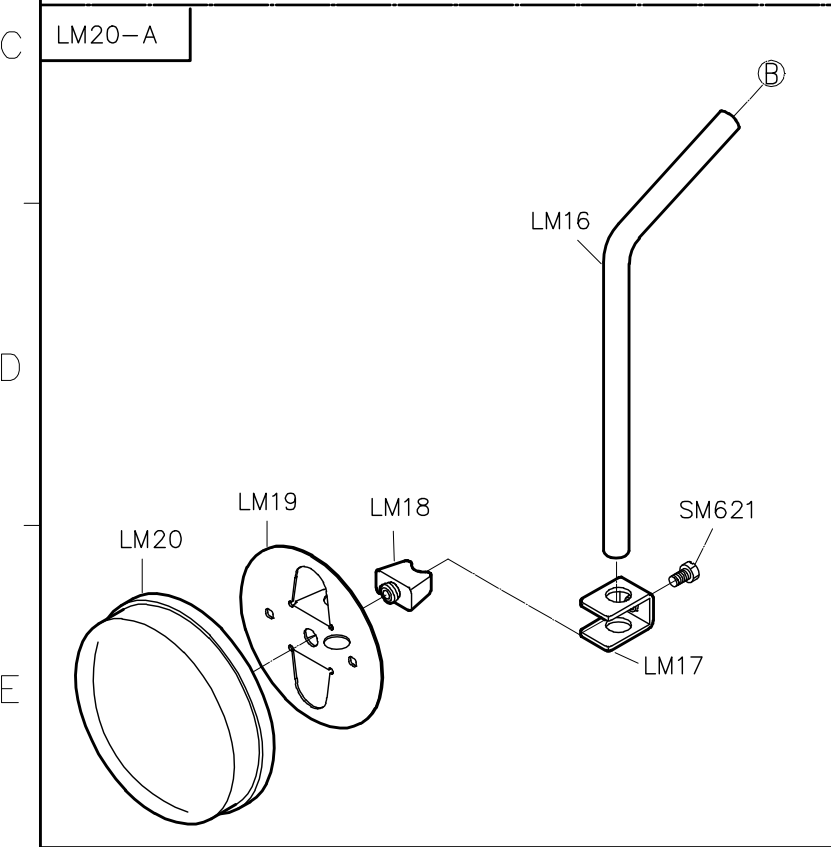
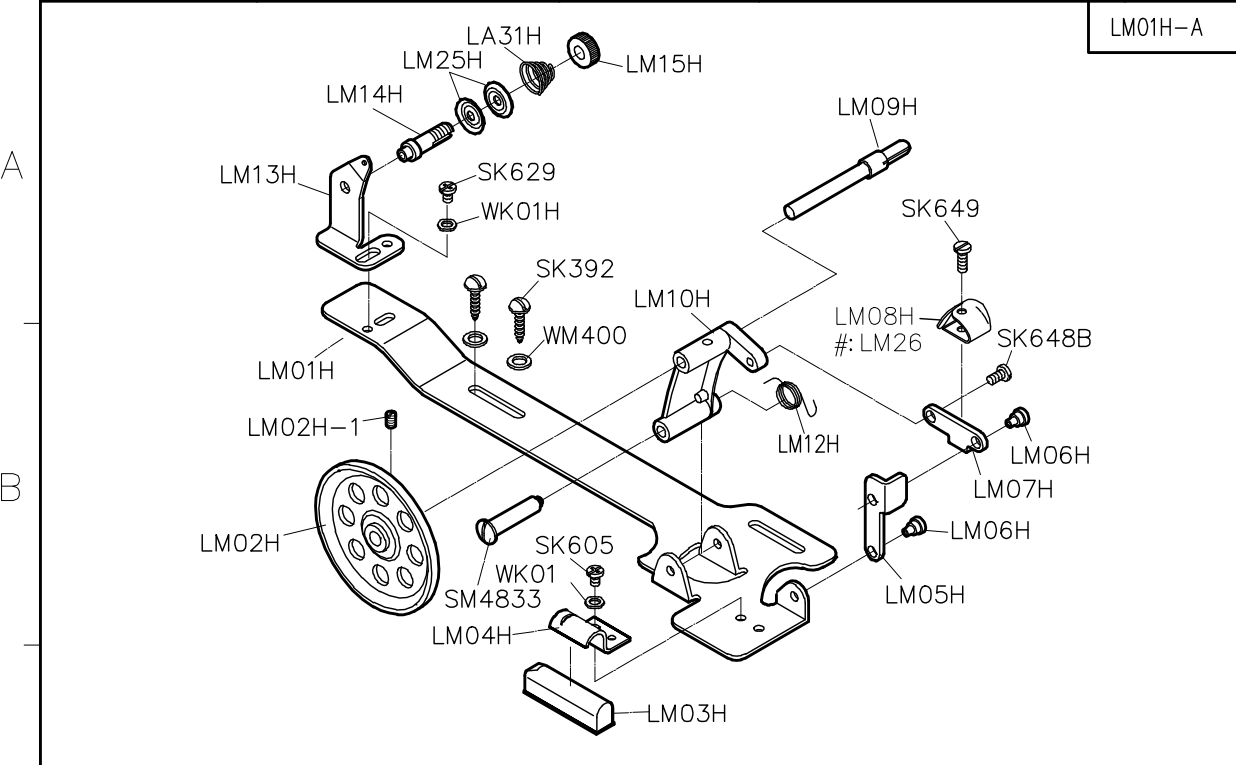
SIRUBA PARTS LIST	Series	Parts Group	Subclass / Remark	Page
	L819-X1/X2	LG	#:Use for X2	1/1
				Date
				2012/11/01



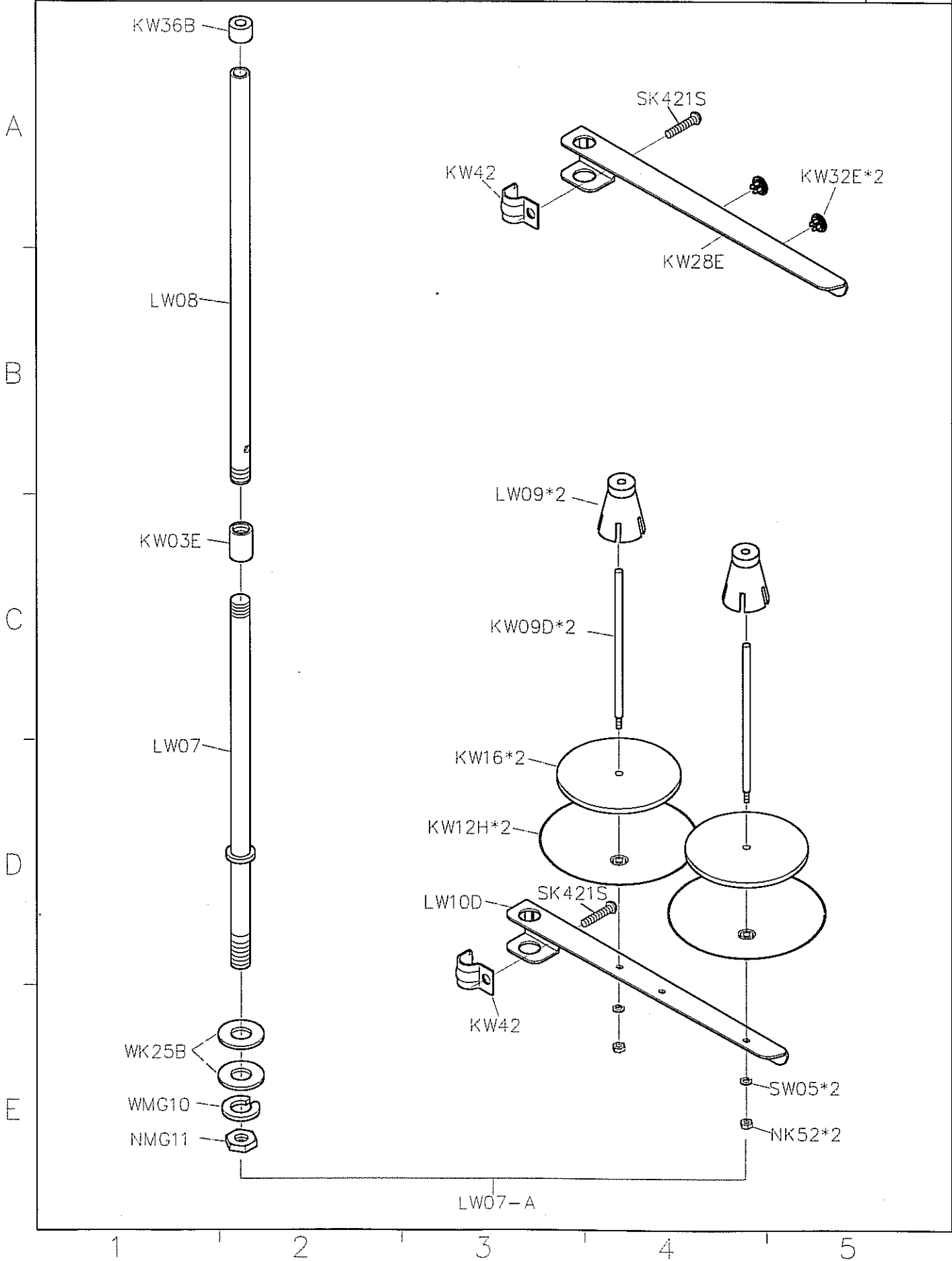
SIRUBA PARTS LIST	Series	Parts Group	Subclass / Remark	Page
	L819-X1/X2	LH		1/1
				Date
				2012/11/01



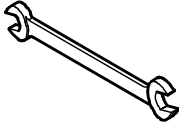

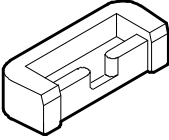
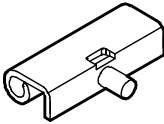
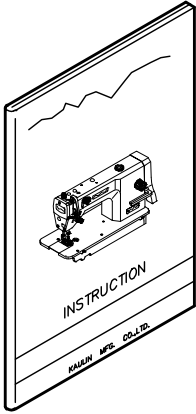
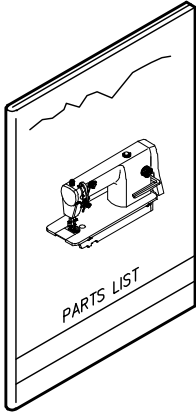
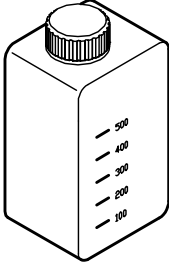


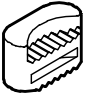

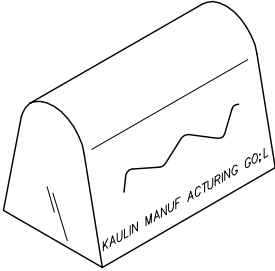
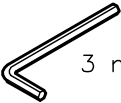

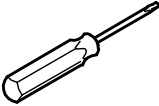
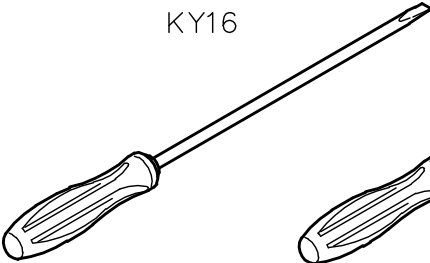
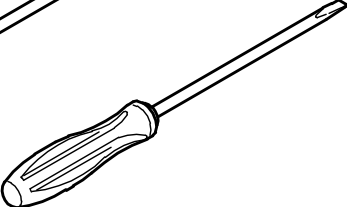
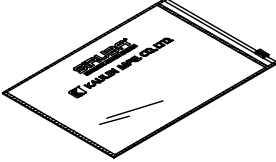
SIRUBA PARTS LIST	Series	Parts Group	Subclass / Remark	Page
	L819-X1/X2	LM	#:Use for X2	1/1
				Date
				2012/11/01



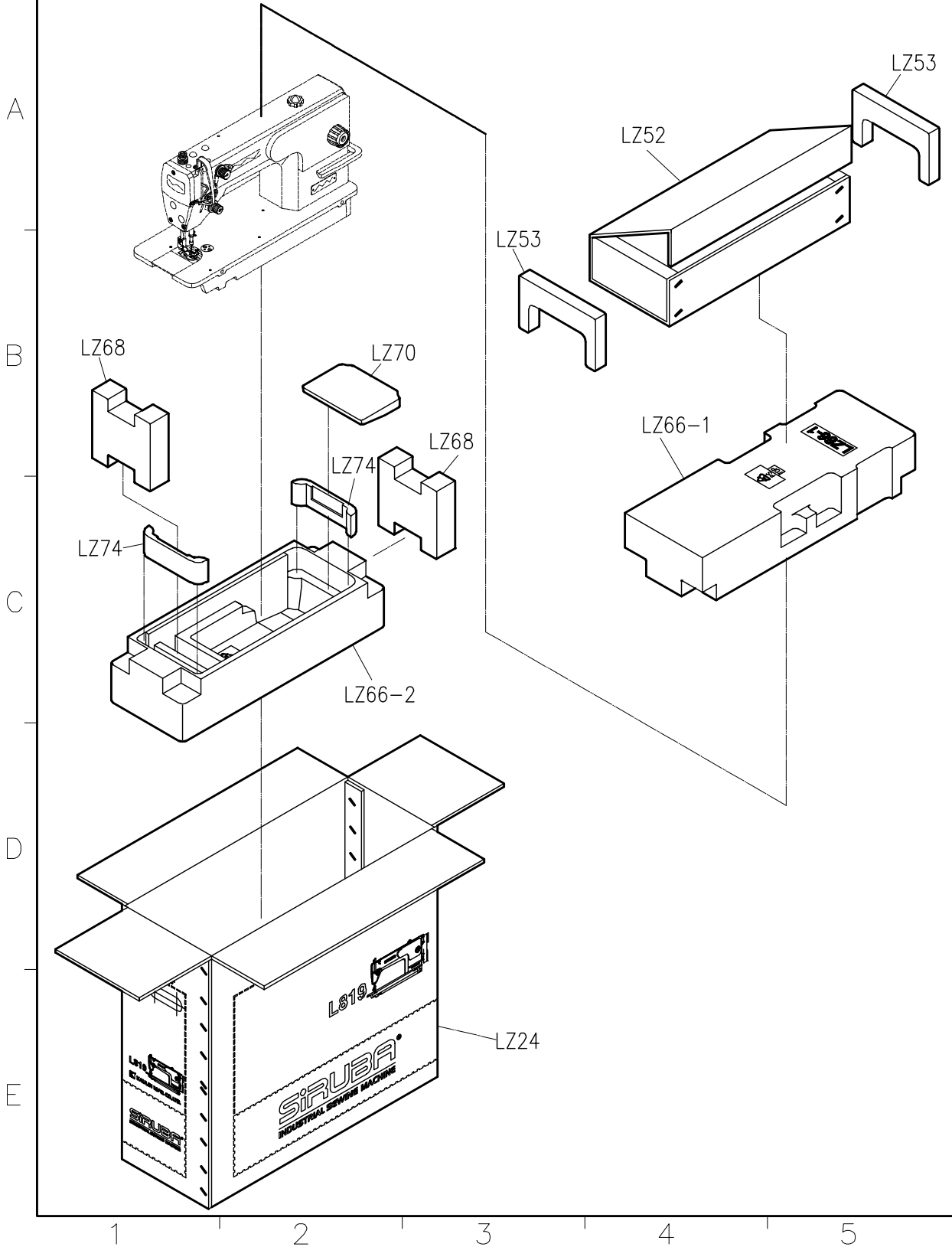
SIRUBA PARTS LIST	Series	Parts Group	Subclass / Remark	Page
	L819/L819U	LW		1/1
				Date
				2012/04/10



SIRUBA PARTS LIST	Series	Parts Group	Subclass / Remark	Page
	L819-X1/X2	LY		1/1
				Date
				2012/11/01

A B C D E	LY01	LY02	YM04*2	LY05*2	
					
	LY10	LY13	LY37-A	YM102*2	
					
			G3XX*2	YM103*2	
					
	針*2	MY01	MY11	KZ03*1	
					
			3 mm		
	MY13	KY16	KY17	KY26F	
					
	1	2	3	4	5

SIRUBA PARTS LIST	Series	Parts Group	Subclass / Remark	Page
	L819-X1/X2	LZ		1/1
				Date
				2012/11/01



SIRUBA TABLE CUT - OUT	Series	Item Code	Subclass / Remark	Mounting
	L818D/L917 L918/L918U L819/L819U	L918-T1		Fully-submerged
				Date
				2013/01/01

